



Installation Instructions

ROFU Electromagnetic Door Holder / Releases

8900, 8910 and 8920 Series

ROFU Security International Corp.
 10029 S. Tacoma Way, E-11
 Lakewood, WA 98499 USA
 1-800-255-7638 (1-800-ALL-ROFU)
 www.ROFU.com
 OrderEntry@ROFU.com

Electromagnetic door holders are designed for use with self-closing devices for any remote door release applications. They usually hold doors open in any areas where access is essential, such as schools, hospitals, nursing homes and public buildings. When the door holders are de-energized by the fire alarm system, the door is released to a closed position, providing a barrier for fire and smoke. When power is restored, the magnets will re-energize, enabling the door to be held open again by the holders. ROFU Electromagnetic Door holders are available in floor-mounted or wall-mounted models. Fail-safe operation, and swivel armature plate allows for easy and flexible installation.

Features

- Voltage 12 or 24VDC/VAC
- Floor and wall mounted models available
- Fail-safe operation; power failure releases door to close
- Positive release button initiates closing motion
- 50 to 75 lbs holding force
- No residual magnetism
- Swivel armature plate reduces installation time and adjusts to door alignment changes

Specifications

Model	8900	8910	8920
Operating Voltage	12 or 24 VDC/VAC		
Current Draw	120mA/12VDC, 60mA/24VDC		
Holding Force	50 to 75 lbs		
Mount	Wall, Flush	Wall, Surface	Floor
Release Button	—	—	✓
Finish	Stainless steel	Stainless steel	Black powder coated

Option Available

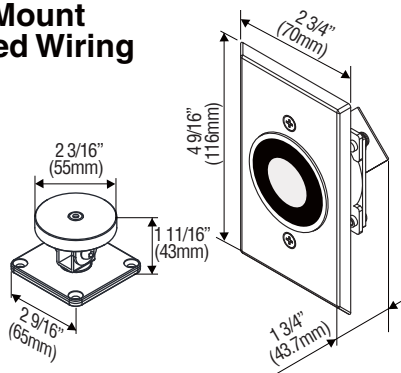
Optional Spacer Kit (#8999) to extend armature plate from 1/2" up to 1 1/2"

Parts List

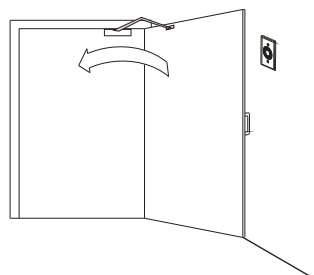
1 x Door Holder, 1 x Armature Plate, 1 x Back Box (8910 only),
 1 x Armature Plate Holder (8920 only), 1 x Manual,
 2 x Butt Splice Connectors

Model 8900 & 8910

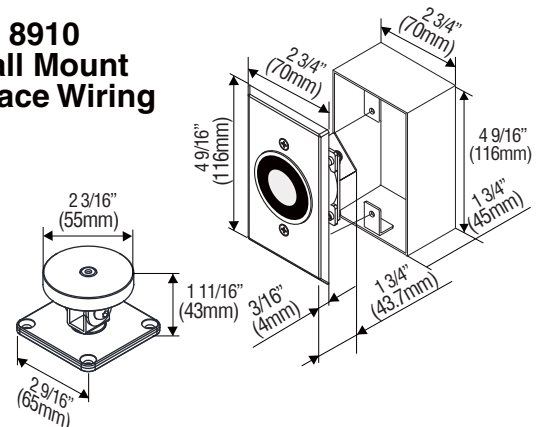
8900 Wall Mount Concealed Wiring



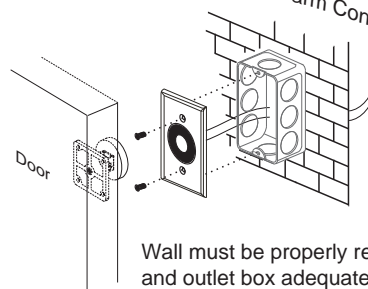
(Door closer)



8910 Wall Mount Surface Wiring



Power Input (12 or 24VDC)/VAC
 from Fire Alarm Control Panel



Wall must be properly reinforced
 and outlet box adequately fastened



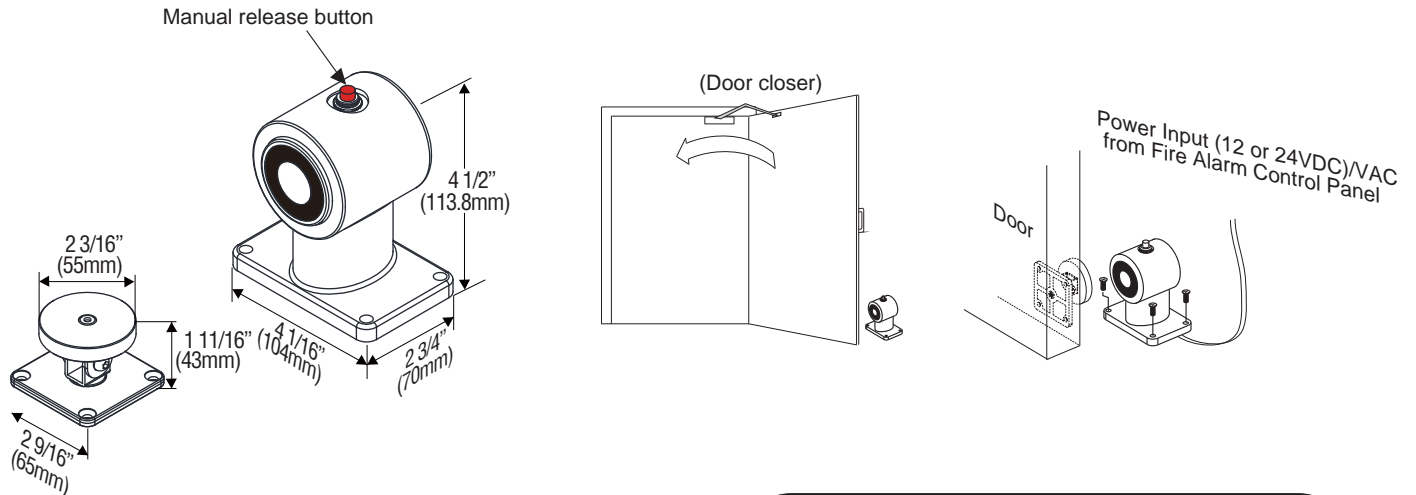
Installation Instructions

ROFU Electromagnetic Door Holder / Releases

8900, 8910 and 8920 Series

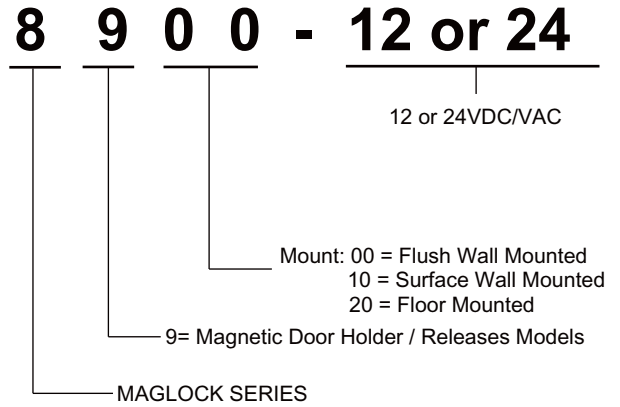
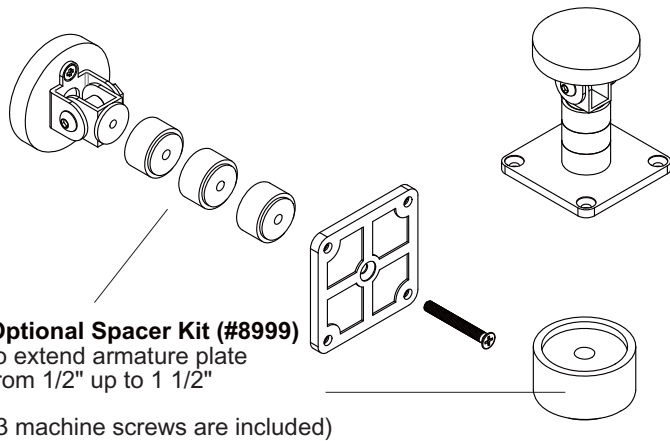
ROFU Security International Corp.
 10029 S. Tacoma Way, E-11
 Lakewood, WA 98499 USA
 1-800-255-7638 (1-800-ALL-ROFU)
 www.ROFU.com
 OrderEntry@ROFU.com

Model 8920 Floor Mounted



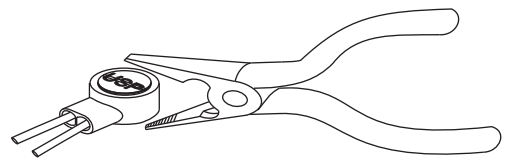
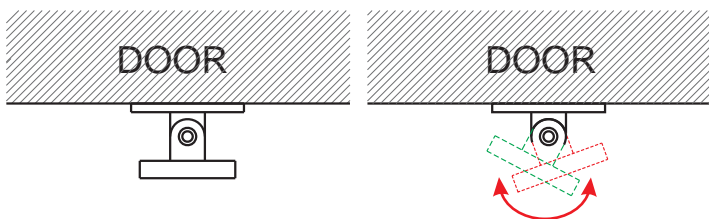
Optional Spacer Kit (#8999)

ROFU Electromagnetic Door Holder / Releases Models



Armature Plate Adjustment

Installing Butt Splice (IDC) Connector



The armature plate can be adjusted to the desired angle.

Using crimpers or pliers and pressing the header of connector down to even position.