

# M62FG – SASM Gate Magnalock®

*The shock absorbing 1,200 lbs  
Magnalock solution for outdoor gates*



The M62FG-SASM is the only heavy duty Magnalock specifically designed to secure and protect gates.

This weatherproof unit delivers 1,200 lbs of holding force and comes equipped with conduit fittings and a special shock absorbing strike mount (SASM). This unique design dramatically prolongs the life of the lock, the gate and other hardware by controlling excessive impact between the strike plate and the magnet.

The SASM is also available as a separate retrofit kit and is compatible with M32, M62 or M82 Magnalock strike plates for areas prone to excessive force closures or slamming.

## Features

### Standard Features

- Flexible bracket options for swinging or sliding applications
- Fully sealed for weatherproof operations
- Includes universal threaded conduit fitting 1/2" [12.7mm] female – 3/4" [19mm] male
- 10 ft. [3.05m] of jacketed, stranded conductor cable
- Noise suppression with built-in MOV
- Automatic dual-voltage —no field adjustment required
- Rust resistant—all ferrous metal surfaces plated for durability
- MagnaCare® lifetime replacement, no-fault, no questions asked warranty

### Optional Features

- **B** Patented BondSTAT magnetic bond sensor
- **D** Integrated Door Position Switch (DPS)
- **F** Face drilled
- **G** Gate conduit
- **SASM** Shock absorbing strike mount—shock absorption and rebound assistance for proper gate alignment



Grade 2



MagnaCare  
Warranty



Auto Sensing  
Dual Voltage  
12/24



Fire Rated

## Specifications

### Certifications

- UL 10C Listed
- CAN4-S104, CAN/ULC-S533 Listed
- ANSI/BHMA A156.23, Grade 2; E08511-1000 Compliant
- CSFM—California State Fire Marshal Approved

### Dimensions

- 8"L x 1-3/4"D x 3"H  
[203.2mm L x 44.45mm D x 76.2mm H]

### Electrical

- 250 mA at 12 VDC
- 150 mA at 24 VDC

### Holding Force

- 1,200 lbs [544kg]

### Operating Temperature

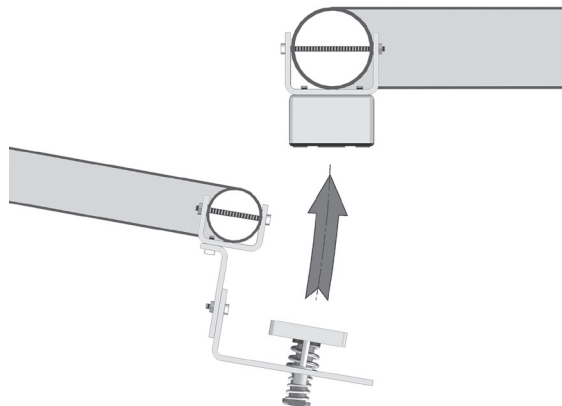
- -40° to 140°F [-40° to 60°C]
- Indoor or Outdoor use

### Shipping Weight

- 12 lbs [5.44kg]

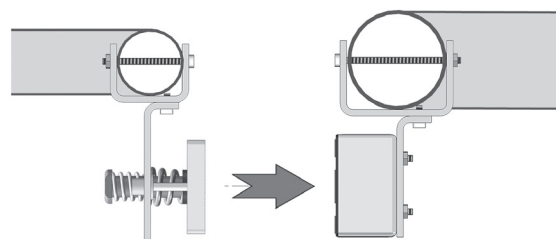
## Swinging Gate

M62FG-SASM on Swinging Gate Using Flex-Mount Bracket Kit FMK-SW



## Sliding Gate

M62FG-SASM on Sliding Gate Using Flex-Mount Bracket Kit FMK-SL



## How to Order

MODEL SERIES	MOUNTING METHOD	STRIKE PLATE OPTIONS
<b>M62</b>	<b>FG</b>	<b>– SASM</b>
M62 1,200 lbs	FG Face drilled, gate conduit	SASM Shock Absorbing Strike Mount