

## BEA Architectural Specification SHEET Automatic and Industrial Door Solutions: Magic Switch – MS08 or MS09 (Industrial)

### Product Specifications

Hands free Activation Device: A sensor designed to detect the motion of a hand and send an electrical signal to the door operator to open the door, re-open or hold a door open. Detection Range: 4 in. to 24 in. (10.16 cm to 61.0 cm) adjustable. Thermal Range Requirements: - 4°F (20°C) to 131°F (55°C). Mounting Location: Wall mounted within a single gang or double gang electrical conduit box. The MS09 Model includes NEMA4 Surface Mount Box. Relay Output Hold Time: 0.5 seconds – 10 Seconds pulse mode options. (this can be longer depending on motion, i.e. if continuous motion to the relay output is maintained) Certifications: Electromagnetic compatibility (EMC) according to 2004/108/EC, FCC: G98-MS08, IC: 4680A-MS08. Sensor must be capable of being installed in interior or exterior environments. Housing: Sensor shall have be made of polycarbonate with lettering & graphic (hand wave), and available in black, white or cream colors. Single Plate (Gang): 2.75" x 4.5" (7 cm x 11.6 cm): Double Plate (gang): 4.5 in. x 4.5 in. (11.43 cm x 11.43 cm): MS09 – 4 in. x 4 in. (10.16 cm x 10.16 cm) IP65 Surface Mount Box. 12-24V AC/DC Power.

### Product image and Application Photo



BEA Inc.  
RIDC Park West  
100 Enterprise Drive  
Pittsburgh, PA 15275-1213

Phone: 1.800.523.2462  
Fax: 1.888.523.2462



Member  
American Association of  
Automatic Door Manufacturers

A HALMA COMPANY



### Technical Specs:

Technology	K-Band Microwave Doppler Radar
Radiated Frequency	24.125 GHz
Transmitter Radiated Power	< 20 dBm EIRP
Radiated Power Density	< 5 mW/cm <sup>2</sup>
Detection Mode	Motion (bidirectional)
Detection Range	4 in. to 24 in. (10.16 cm x 61cm) (adjustable)
Output	Relay with switch-over contact (free of potential)
Max. Voltage	60 VDC; 125 VAC
Max. Current	1 A (resistive)
Max. Switching Power	30 W (DC); 60 VA (AC)
Output Hold Time	0.5 s (in pulsed mode)
Supply Frequency	50 to 60 Hz

<b>Supply Voltage</b>	12 to 24 VAC $\pm$ 10% 12 to 24 VDC + 30%; - 10%
<b>Power Consumption</b>	< 1.2 W
<b>Material / Colors</b>	MS08: ASA, PC / Black, White, Cream MS09: ABS/PC
<b>Cable Type</b>	Standard cable up to 16 AWG - 1.5 mm <sup>2</sup>
<b>Temperature Range</b>	-4°F to 131°F (-20°F to 55°C)
<b>Certifications</b>	EMC: 2004 / 108 / EC; FCC: G9B-MS08; IC: 4680A-MS08
<b>Degree of Protection</b>	MS09: NEMA 4 (IP65)

**BEA Inc.**  
RIDC Park West  
100 Enterprise Drive  
Pittsburgh, PA 15275-1213

Phone: 1.800.523.2462  
Fax: 1.888.523.2462

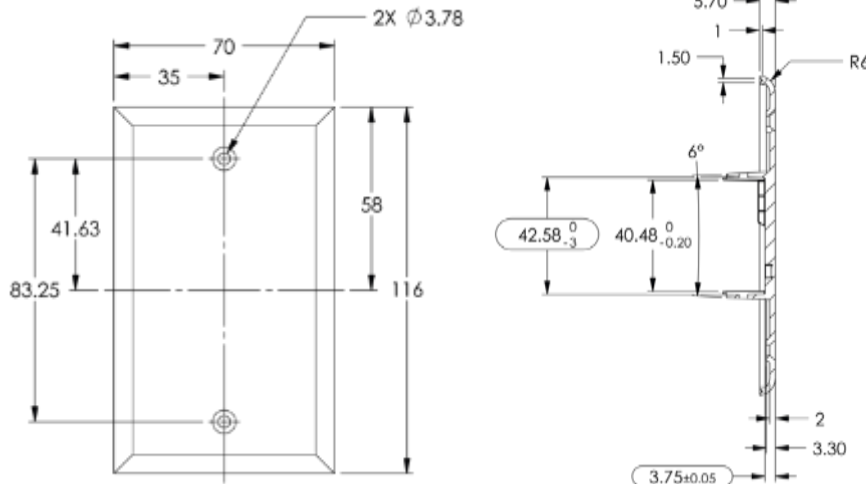


**AADM** Member Association of Automatic Door Manufacturers

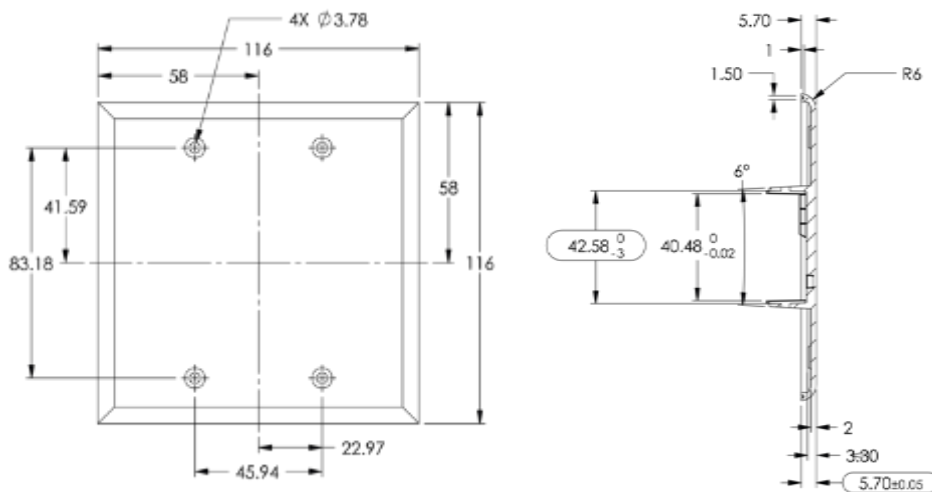
A HALMA COMPANY

**Dimensions:**

**MS08 Single Gang Dimensions:**



**MS08 Double Gang Dimensions:**



**BEA Inc.**  
 RIDC Park West  
 100 Enterprise Drive  
 Pittsburgh, PA 15275-1213

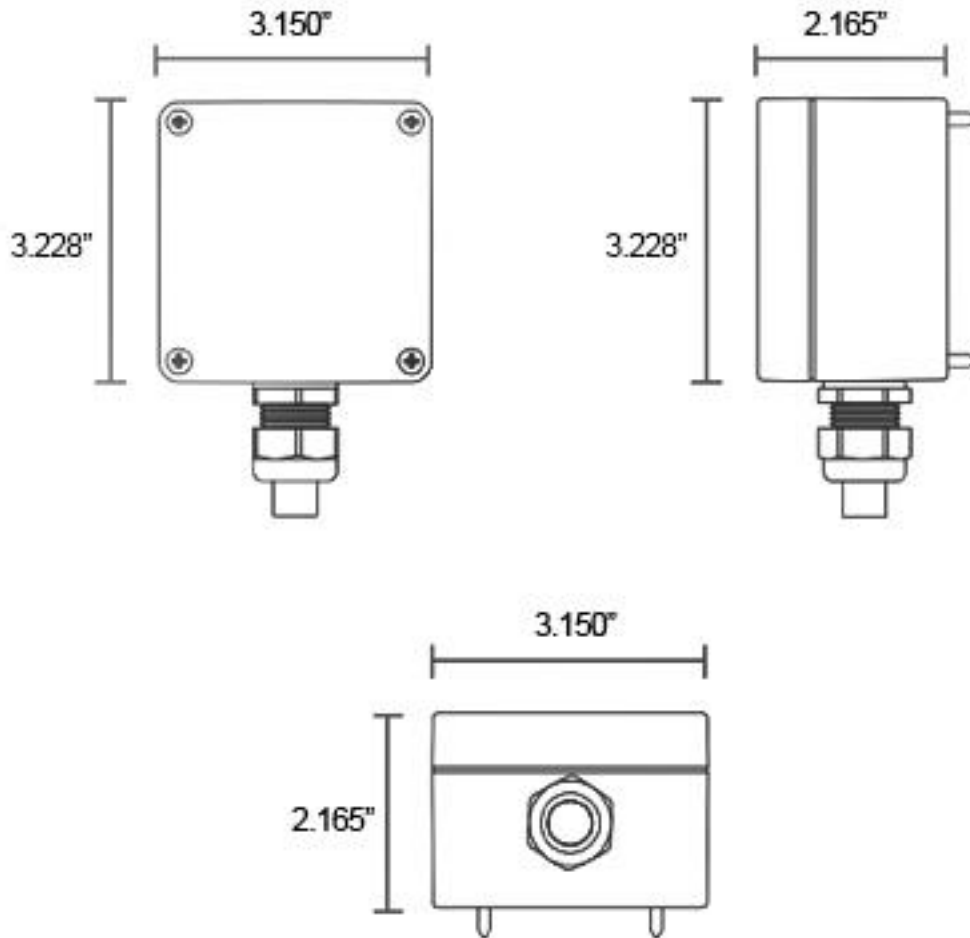
Phone: 1.800.523.2462  
 Fax: 1.888.523.2462

79.0255.01 20160120



**AAADM** Member  
 American Association of  
 Automatic Door Manufacturers

### MS09 Dimensions (in inches):



**BEA Inc.**  
RIDC Park West  
100 Enterprise Drive  
Pittsburgh, PA 15275-1213

Phone: 1.800.523.2462  
Fax: 1.888.523.2462



**AAADM** Member  
American Association of  
Automatic Door Manufacturers

A HALMA COMPANY