



44487049

Power Supply

PS906

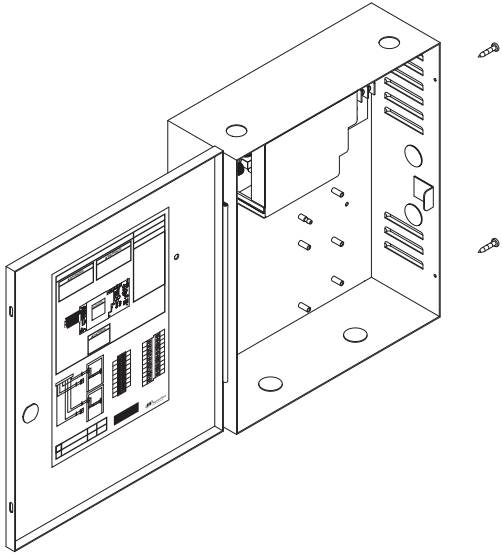
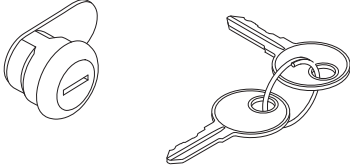
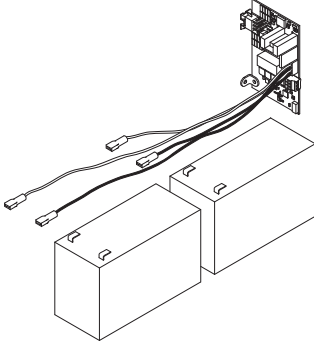


Installation Instructions

⚠ DANGER ⚠

To avoid risk of electric shock, turn off AC power before installing or servicing PS906 power supply

These instructions cover the following parts:

 <p>PS906 Power Supply - Pages 1-3</p>	 <p>900-KL Keylock (optional) - Page 2</p>
	 <p>900-BB Battery Backup (optional) - Page 3</p>

PS906 Power Supply Specifications:

Input	120/240 VAC, 2.4 A, 50/60Hz, High Voltage Class 1 Wiring Required	
Output	6 Amp DC @ 12/24 VDC	
Enclosure	14" H x 12" W x 4" D (8 knockouts, 1/2" or 3/4")	
Temperature Range	32°-120° F (0°- 49° C)	
Fuse	F1, T6.3A 250 VAC	⚠ CAUTION ⚠ For protection against risk of fire, replace fuse with same type and rating
Compliance	UL 294, ULC-S318, RoHS, & FCC Part 15, Class 1 Output	
Compatible Boards (Optional, 3 boards maximum)	900-2RS 900-4R 900-4RL 900-8F 900-8P	INST. INSTRUCTIONS - 24125007 INST. INSTRUCTIONS - 44487106 INST. INSTRUCTIONS - 44487080 INST. INSTRUCTIONS - 44487106 INST. INSTRUCTIONS - 44487106
Fire Alarm Input Board (Optional)	900-FA (Requires one option board above)	INST. INSTRUCTIONS - 44487072
Battery Backup Board (Optional)	900-BB	INST. INSTRUCTIONS - 44487064
AC Monitor Output	Form C Contacts, 30 VDC, 1 Amp, Resistive Load	

Mounting notes

The PS906 must be installed in accordance with the article 760 of the National Electrical Code or NFPA 72 Canadian Electrical Code, or any other applicable codes.

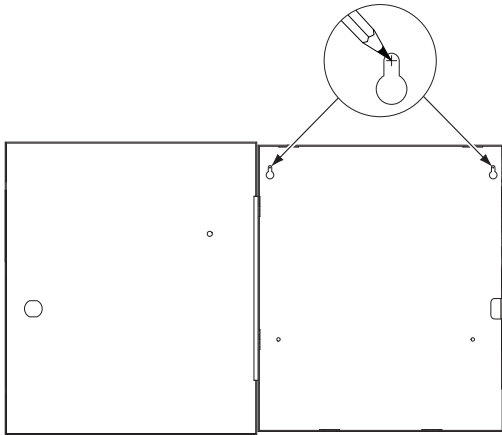
Install the PS906 indoors within the protected premises.

Check national and local codes for additional installation requirements.

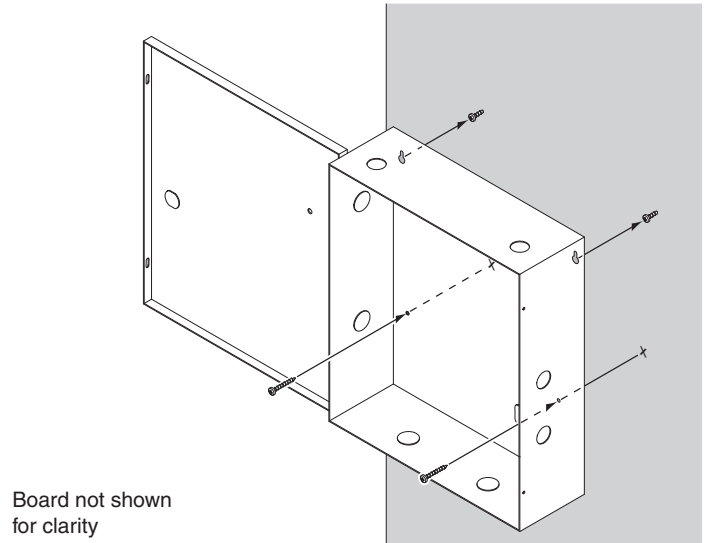
Enclosure must be firmly mounted to a solid surface using hardware suitable for the surface.

1 Mount power supply

1a Mark 2 Top Holes



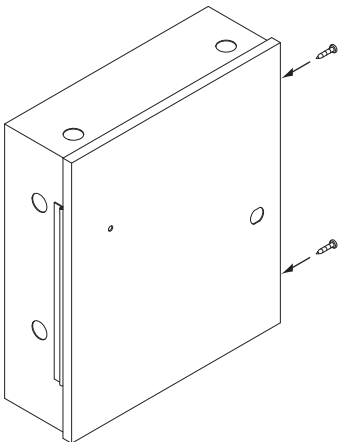
1b Secure Enclosure with 4 Screws



2 Secure enclosure door

If No Keylock

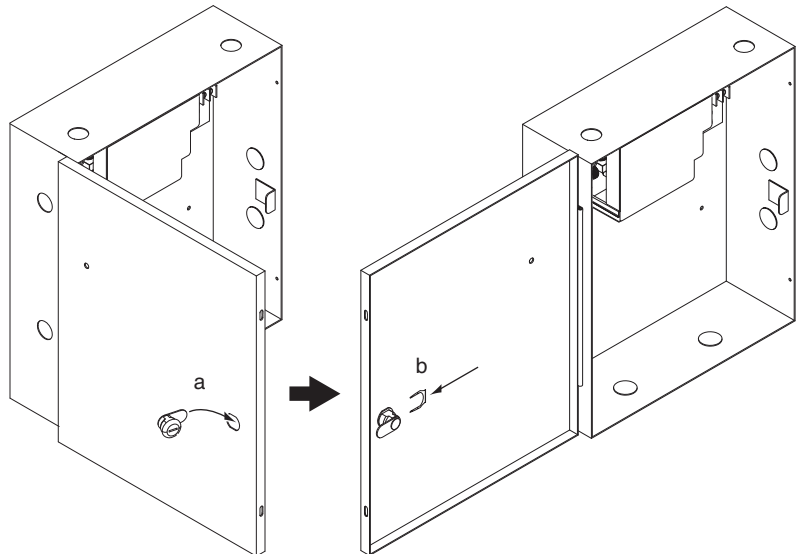
Enclosure will be secured with 2 screws as shown (done as last step)



OR

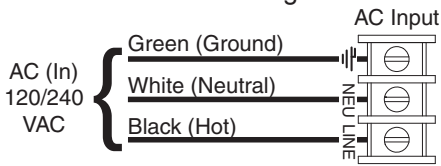
If Keylock

Remove knockout and insert key cylinder, then slide in clip



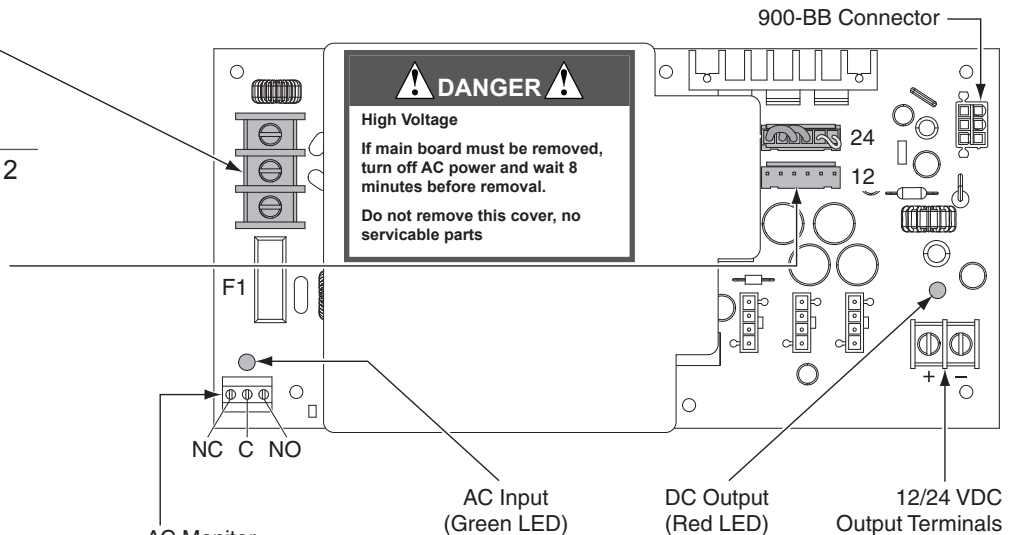
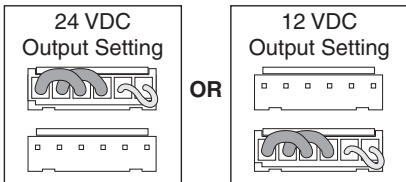
3 PS906 Setup and testing

3a Connect AC Wiring



⚠ DANGER ⚠
Ensure AC breaker is turned off

3b Use Jumper to Select 24 VDC or 12 VDC Output



⚠ DANGER ⚠
High Voltage
If main board must be removed,
turn off AC power and wait 8
minutes before removal.
Do not remove this cover, no
servicable parts

⚠ DANGER
If AC LED is
off, turn AC
breaker prior
to checking F1
fuse

AC Monitor
Active when AC present
and F1 fuse not open
(Form C dry contacts)

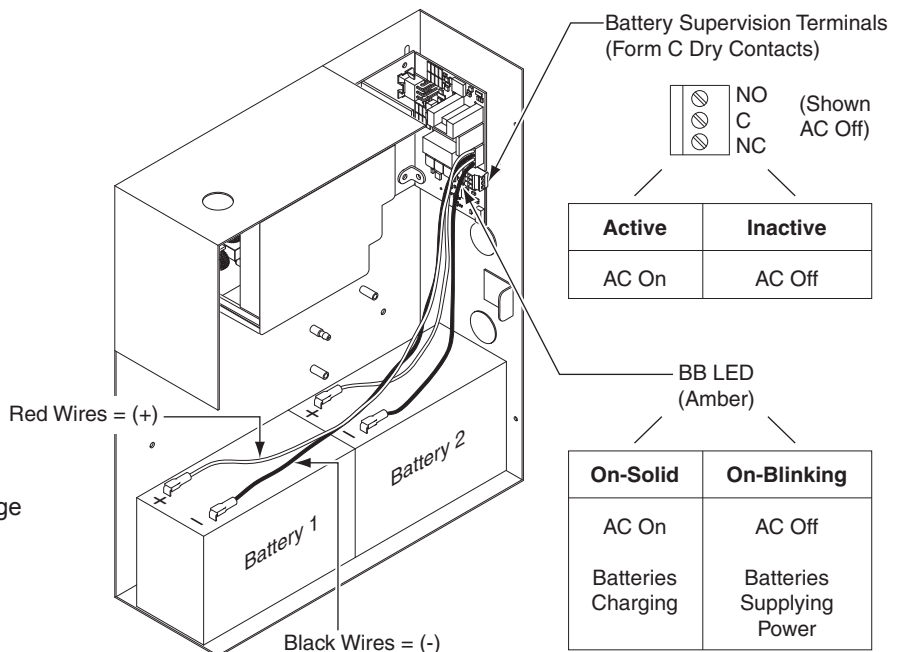
Note: Minimum of 1/4" separation
between AC and DC wiring as
well as power limited and non-
power limited.

4 Install 900-BB Battery backup (if included)

Refer to 900-BB instructions for additional info

4a Place Batteries in Box with Terminals to the Left

4b Attach Wires from Battery Board Red wires = (+) Black wires = (-)



Note: Allow 24 hours for batteries to fully charge

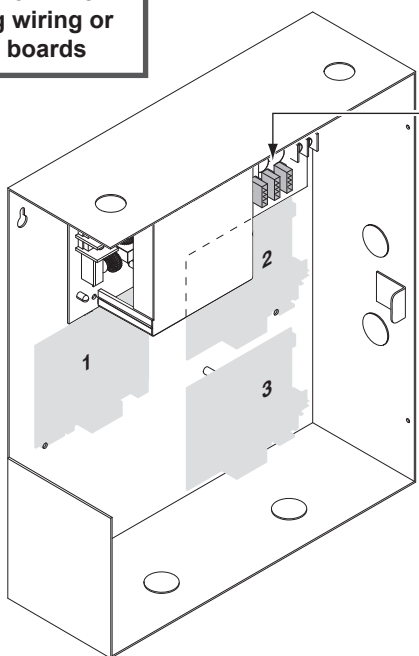
5 Turn on AC breaker to test power supply

- Verify AC LED is On = GREEN
- Verify DC LED is On = RED
- Verify BB LED (if applicable) is On = AMBER

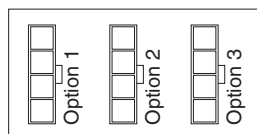
Option boards

Refer to appropriate instructions if any board shown below is factory-installed

⚠ DANGER ⚠
Ensure AC breaker is turned off when installing wiring or option boards

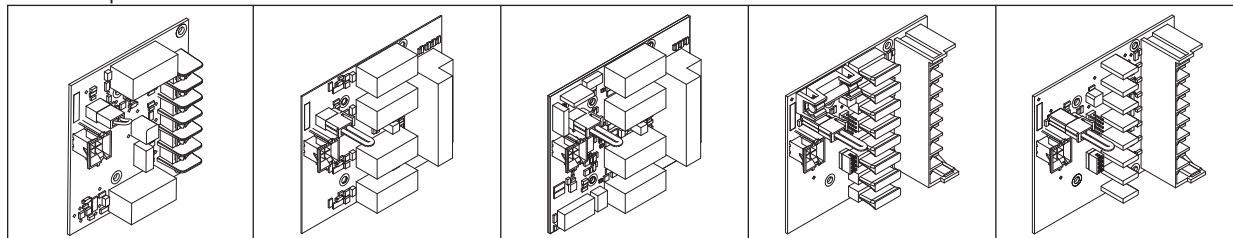


Option Boards may be Plugged into any Available Option Connector



- See option board installation instructions for wiring info

Available option boards:



900-2RS
(2 Relay)

900-4R
(4 Relay)

900-4RL
(4 Relay w/logic)

900-8F
(8 Zone
Distribution-fuse)

900-8P
(8 Zone
Distribution-PTC)

NOTE: When installation is complete, secure enclosure door with screws (provided) or keylock.

Customer Service

1-877-671-7011 www.allegion.com/us

