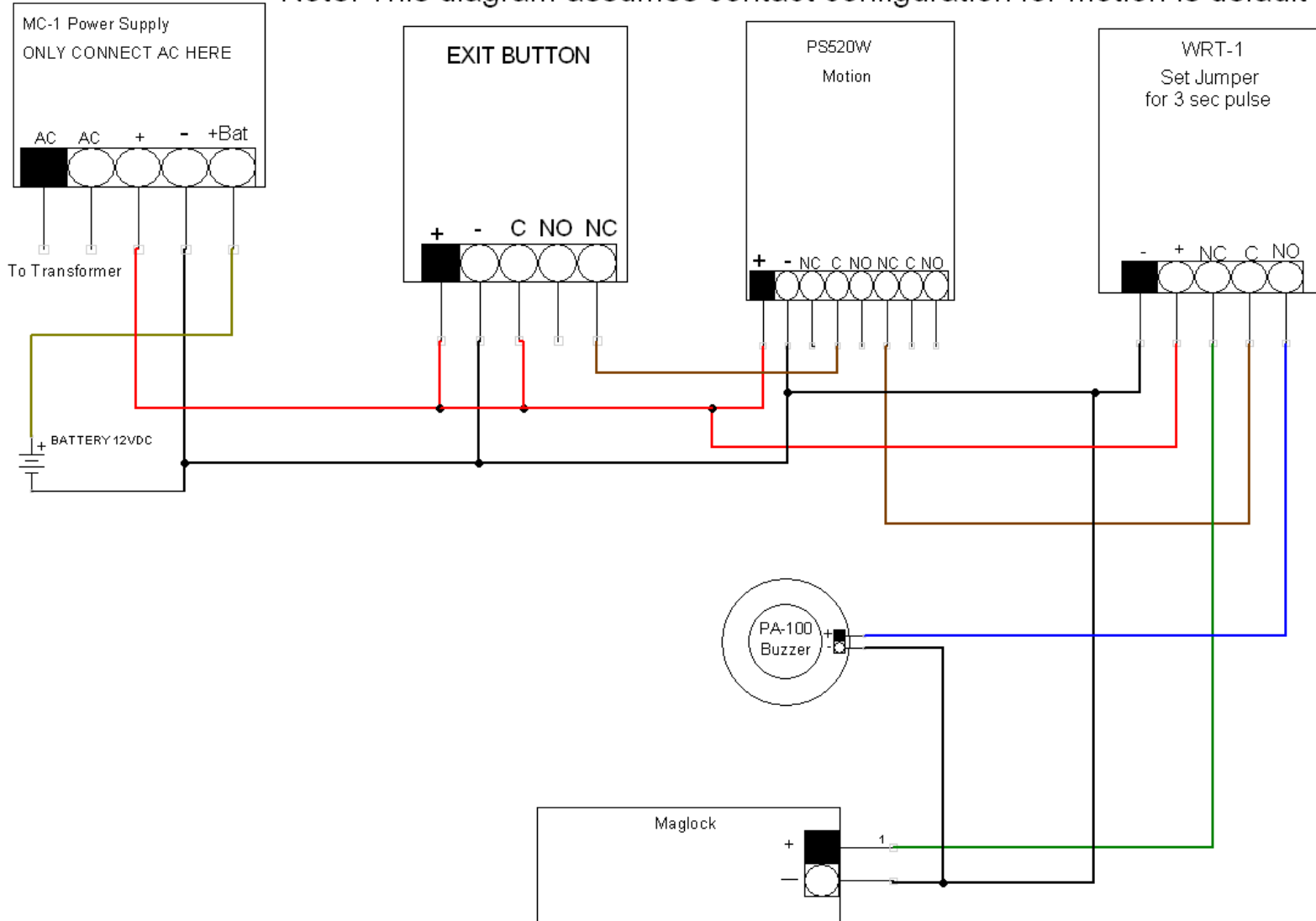


Jewelry Store Kit

Note: This diagram assumes contact configuration for motion is default



Jewelry Store Kit With Key Switch

Note: This diagram assumes contact configuration for motion is default

